

Connection components - fiber optic cabling

MTP/MPO Trunk cable



DESCRIPTION:

- Connection cables terminated both side with MPO connectors dedicated for high density application
- DC-Prim cable reinforced with aramid yarns and LSOH jacket:
 - Ø3.0 mm ±5% for 12 fibers cable
 - Ø3.5 mm ±5% for 24 fibers cable
- For SM and MM application
- A, B, C polarity type or non standard type
- Male and female connector type
- Provide quick connection for up to 24 fibers

TECHNICAL SPECIFICATION:

MPO connectors

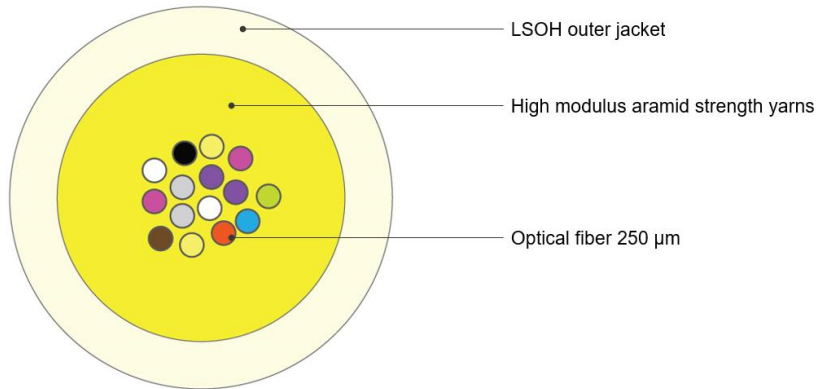
Parameter	Unit	MPO SM APC	MPO MM
IL _{MAX}	dB	≤ 0.50	≤ 0.50
IL _{TYP}	dB	≤ 0.25	≤ 0.25
Return Loss	dB	> 65	> 35

MTP connectors

Parameter	Unit	MTP SM APC	MTP MM
IL _{MAX}	dB	≤ 0.40	≤ 0.40
IL _{TYP}	dB	≤ 0.25	≤ 0.25
Return Loss	dB	> 65	> 35

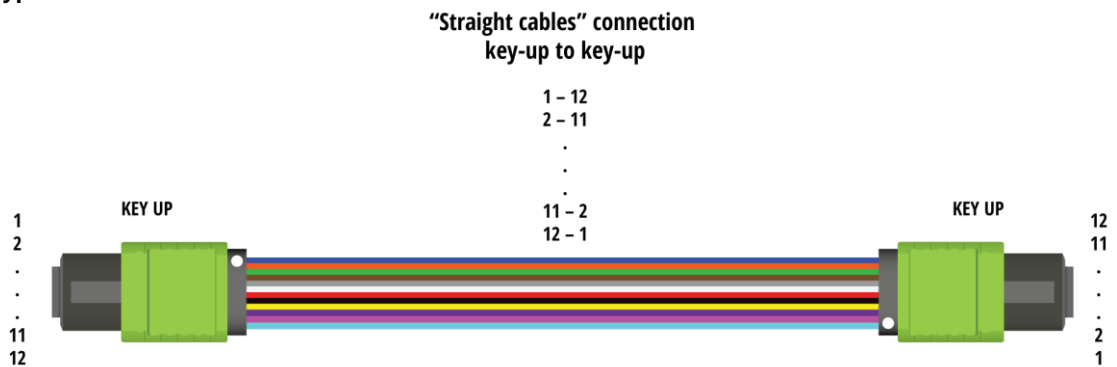
Connection components - fiber optic cabling

CABLE CONSTRUCTION:

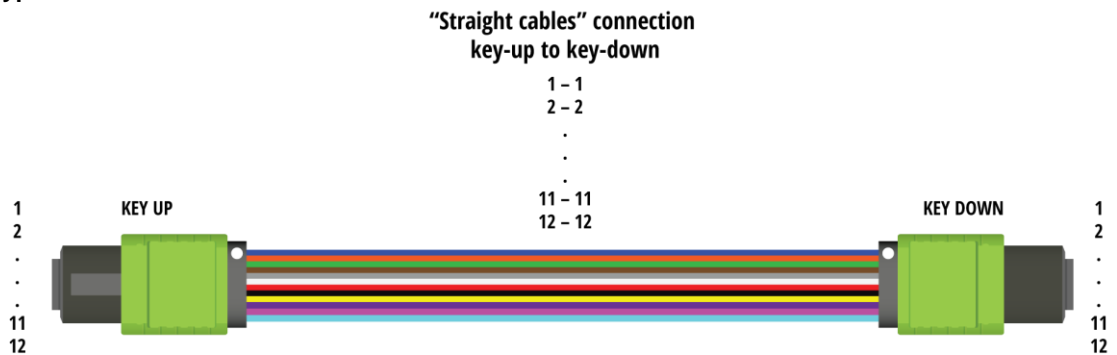


FIBER IDENTIFICATION AND POLARITY TYPE:

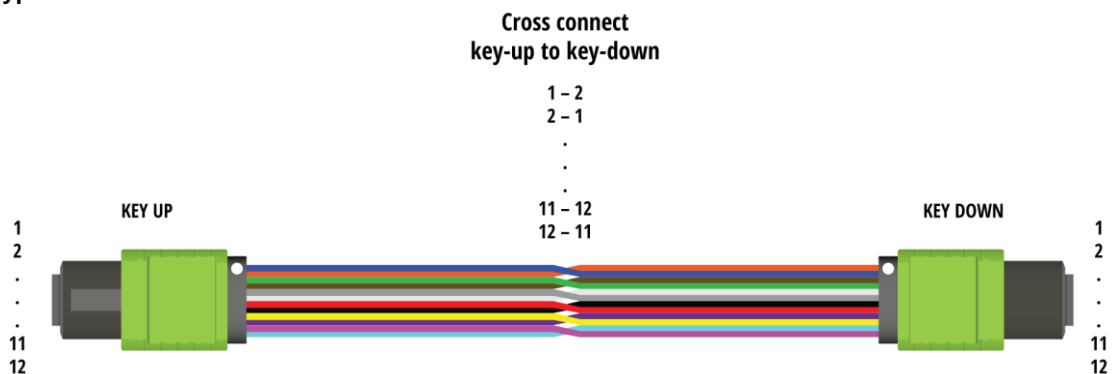
- **Polarity type A**



- **Polarity type B**



- **Polarity type C**



Type:	MTP/MPO Trunk cable	REV: 1.0
Date:	10.01.2020	At
Modification:		

Connection components - fiber optic cabling

ORDERING INFORMATION:

Grade	Fiber qty	Side A	Side B	Boot type	Cable diameter	Length [m]	Cable type	Fiber type	Polarity
G - Gold	12 – 12 fibers	MTPA.F – MTP female APC SM	MTPA.F – MTP female APC SM	S - standard	R30 – round 3.0 mm (@12F)	001.0	1 – DC PRIM	A – G652D	A
	24 – 24 fibers	MTPA.M – MTP male APC SM	MTPA.M – MTP male APC SM		R35 – round 3.5 mm (@24F)			D – G657A1	B
		MTP.F – MTP female MM	MTP.F – MTP female MM		E – G657A2			C	
		MTP.M – MTP male MM	MTP.M – MTP male MM		H – OM1				
		MPOA.F – MPO female APC SM	MPOA.F – MPO female APC SM		I – OM2				
		MPOA.M – MPO male APC SM	MPOA.M – MPO male APC SM		K – OM3				
		MPO.F – MPO female MM	MPO.F – MPO female MM		L – OM4				
		MPO.M – MPO male MM	MPO.M – MPO male MM						

Important notice

Buyer and/or user of this product has to make sure before using this product that it is suitable for the intended use. All questions of liability relating to this product are subject – in accordance with the prevailing – to the Term of Sale of the selling Fibrain subsidiary.