



FTF-S85G-DxxL-16BD

SFP+8G FC, DWDM, single-mode, 16dB



Description

FTF-S85G-DxxL-16BD series SFP+ transceiver can be used to establish multiple, high speed serial data links over single-mode fiber. Thanks to adoption of DWDM technology it is possible to send up to 45 separate data streams over single strain of fiber***. At least 16dB optical power budget is guaranteed. Transceivers are fully compliant with SFP+ MSA specifications and are available in various hardware versions:

***45 pairs of DWDM modules and two pairs of optical multiplexer and demultiplexer devices will be required

| Model(generic part number) | Operating case temperature |
|----------------------------|----------------------------|
| FTF-S85G-DxxL-16BD | 0~70°C |
| FTF-S85G-DxxL-16BDI | -40~85°C |

xx – indicates central wavelength, must be specified while ordering module, more info available in Ordering Information chapter

Host device can access module internal EEPROM memory and DDMI via I²C interface.

Built-in digital diagnostic interface (DOM, DDMI) allows a network administrator to monitor module parameters such as: transmitted and received optical power, temperature, supply voltage and laser current. Those information and data are very helpful e.g. in prediction and prevention of connection failures. A module is available in various dedicated versions, which can be compatible with devices from vendors such as Cisco, HP, Juniper, Extreme Networks, Alcatel-Lucent, 3Com, Linksys and more.

Applications

- Fiber Channel (8G FC)
- SONET/SDH (OC-192/STM64)



Key features

- LC Duplex receptacle
- Transmission distance up to 40km*
- EML DWDM laser diode, PIN receiver (100 GHz grid, C-Band)
- Throughput up to 8.5Gb/s
- Fully compliant with SFP+ MSA INF-8431 and INF-8472 rev. 11.3
- Hot-Pluggable
- RoHS compliant
- Class 1 laser safety
- Low power dissipation (<1W)
- Metal case for low EMI
- Operating case temperature* : 0~70°C / -40~85°C

Specification

Supported transmission technology

Fibre Channel

Speed supported for Ethernet technology

N/A

Speed supported for Fibre Channel technology

8.5Gbps

Transmission medium

Single-mode fiber 9/125µm

Transmission distance**

40km

Receptacle type

LC Duplex

Wavelength

DWDM 100 GHz grid, C-Band

Output power

0~+4dBm

Receiver sensitivity

-16dBm

Power supply voltage

3.3V

Total power consumption

< 1W

Operating environment – temperature*

0~70°C / -40~+85°C

Operating environment - humidity

5~95% non-condensing

Dimensions

Compliant with SFP+ Multi-Source Agreement

* - standard / industrial version

** - transmission distance depends on optical link attenuation (at selected wavelength)



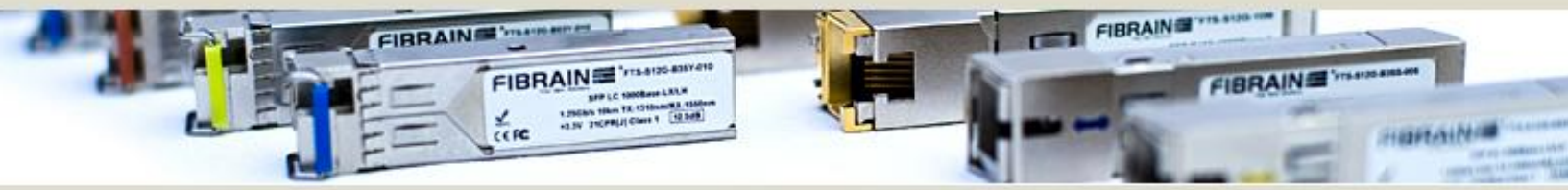
Detailed technical specification

Pin Description

| Pin | Name | Function/Description | Engagement order | Notes |
|-----|------------|---|------------------|-------|
| 1 | VeeT | Transmitter Ground | 1 | 8 |
| 2 | TX Fault | Transmitter Fault Indication | 3 | 1 |
| 3 | TX Disable | Transmitter Disable-Module disables on high or open | 3 | 2 |
| 4 | SDA | Module Definition 2-Two wire serial ID interface | 3 | 3 |
| 5 | SCL | Module Definition 1-Two wire serial ID interface | 3 | 3 |
| 6 | MOD_ABS | Module Definition 0-Grounded in module | 3 | 3 |
| 7 | RS0 | Not Used | 3 | - |
| 8 | RX_LOS | Receiver Loss of Signal | 3 | 4 |
| 9 | RS1 | Not Used | 1 | - |
| 10 | VeeR | Receiver Ground | 1 | 8 |
| 11 | VeeR | Receiver Ground | 1 | 8 |
| 12 | RD- | Inverse Received Data out | 3 | 5 |
| 13 | RD+ | Received Data out | 3 | 5 |
| 14 | VeeR | Receiver Ground | 1 | 8 |
| 15 | VccR | Receiver Power - +3.3V±5% | 2 | 6 |
| 16 | VccT | Transmitter Power - +3.3 V±5% | 2 | 6 |
| 17 | VeeT | Transmitter Ground | 1 | 8 |
| 18 | TD+ | Transmitter Data In | 3 | 7 |
| 19 | TD- | Inverse Transmitter Data In | 3 | 7 |
| 20 | VeeT | Transmitter Ground | 1 | 8 |

Notes:

- TX Fault is open collector/drain output which should be pulled up externally with a 4.7KΩ-10KΩ resistor on the host board. When high, this output indicates a laser fault of some kind. Low indicates normal operation.
- TX Disable input is used to shut down the laser output per the state table below. It is pulled up to Vcc within the module.
Low (0 – 0.8V): Transmitter on
Open or High (2.0 – VccT): Transmitter Disabled
- Mod-Def 0, 1, 2. These are the module definition pins. They should be pulled up to Vcc with a 4.7KΩ-10KΩ resistor on the host board
Mod-Def 0 is grounded by the module to indicate that the module is present.
Mod-Def 1 is clock line of two wire serial interface for optional serial ID.
Mod-Def 2 is data line of two wire serial interface for optional serial ID.
- LOS - when high, output indicates the received optical power is below the worst case receiver sensitivity. Low indicates normal operation.
- These are the differential receiver outputs. They are AC coupled 100Ω differential lines which should be terminated with 100Ω differential at the user SERDES. The AC coupling is done inside the module and thus not required on the host board.
- VccR and VccT are the receiver and transmitter power supplies. They are defined as 3.3V±5% at the SFP connector pin. The in-rush current will typically be no more than 30mA above steady state supply current after 500ns.
- TD-/+: These are the differential transmitter inputs. They are AC coupled differential lines with 100Ω differential termination inside the module. The AC coupling is done inside the module and is thus not required on host board.
- The module signal grounds are isolated from the module case.



Electrical parameters

| Parameter | Symbol | Min. | Typ. | Max. | Unit | Notes |
|-------------------------------------|-----------------|------|------|-----------------|--------|-------|
| Transmitter Differential Input Volt | +/-TX_DAT | 180 | | 700 | mV p-p | 1 |
| Receiver Differential Output Volt | +/-RX_DAT | 180 | | 850 | mV p-p | 2 |
| Tx_Disable Input Voltage – Low | V _{IL} | 0 | | 0.8 | V | |
| Tx_Disable Input Voltage – High | V _{IH} | 2.0 | | V _{cc} | V | |
| Tx_Fault Output Voltage – Low | V _{OL} | 0 | | 0.8 | V | 3 |
| Tx_Fault Output Voltage – High | V _{OH} | 2.0 | | V _{cc} | V | 3 |
| Rx_LOS Output Voltage- Low | V _{OL} | 0 | | 0.8 | V | 3 |
| Rx_LOS Output Voltage- High | V _{OH} | 2.0 | | V _{cc} | V | 3 |
| Throughput | B | | | 11.3 | Gb/s | |
| Total current requirement | | | | 470 | mA | |

Transmitter parameters

| Parameter | Symbol | Min. | Typ. | Max. | Unit | Notes |
|-------------------------------|--------------------------------------|---------------|-----------|---------------|------|-------|
| Central wavelength | λ_c | $\lambda-0.1$ | λ | $\lambda+0.1$ | nm | |
| Spectral width | $\Delta\lambda$ | | | 1 | nm | |
| Launch optical power | P _o | 0 | | +4 | dBm | 4 |
| Extinction Ratio | EX | 5 | | | dB | |
| Dispersion penalty | | | | 3 | dB | |
| Optical Return Loss Tolerance | ORLT | 20 | | | dB | |
| Optical rise/fall time | T _{rise} /T _{fall} | | | 30 | ps | 5 |
| Eye diagram | Compliant with IEEE802.3-2005 8G FC | | | | | |

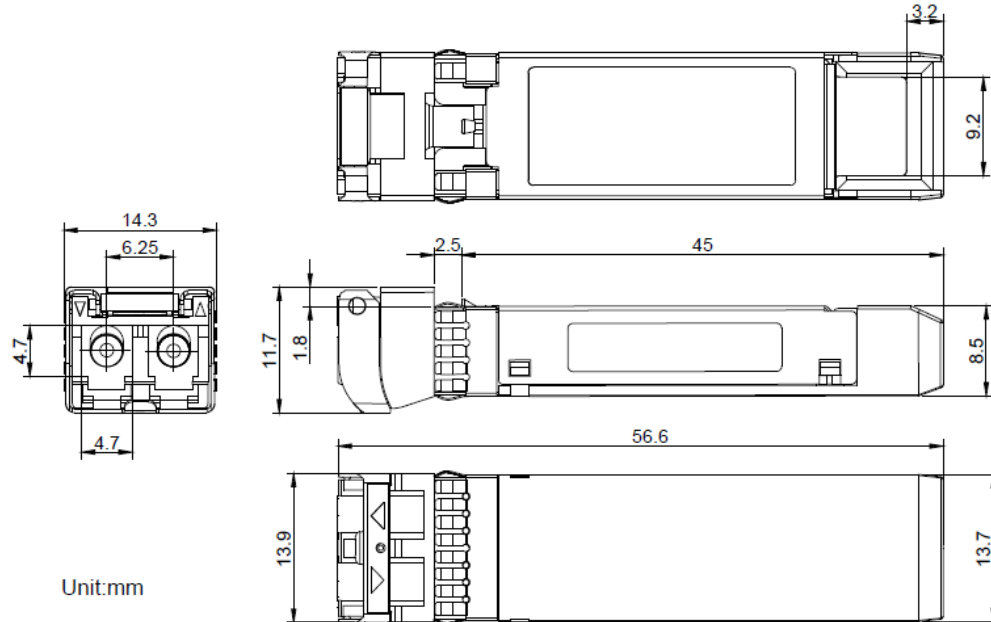
Receiver parameters

| Parameter | Symbol | Min. | Typ. | Max. | Unit | Notes |
|----------------------------|------------------|------|------|------|------|-------|
| Sensitivity | P _{min} | | | -16 | dBm | 6 |
| Stressed Sensitivity (OMA) | | | | -14 | dBm | |
| Central wavelength | λ_c | 1480 | | 1580 | nm | |
| Receiver overload | P _{MAX} | -1 | | | dBm | 6 |
| RX_LOS Asserted | S _A | -30 | | | dBm | |
| RX_LOS De-Asserted | S _D | | | -17 | dBm | |
| RX_LOS Hysteresis | - | | 3.0 | | dB | |

- Notes:**
- Internally AC coupled and terminated to 100Ω differential load.
 - Internally AC coupled, but requires a 100Ω differential termination or internal to Serializer/Deserializer.
 - It is open collector/drain output which should be pulled up externally to V_{cc} with a 4.7KΩ-10KΩ resistor on the host board. LOS: logic 0 indicates normal operation; logic 1 indicates no signal detected.
 - Optical power is launched into SMF
 - 20-80%
 - Measured with PRBS 2³¹-1 at test pattern @10.3125Gbps.



Mechanical specification



Recommended environment conditions

| Parameter | Symbol | Min | Typ | Max | Unit |
|--|-----------------|-------|-----|-------|------|
| Operating Temperature Range (industrial) | T | -40 | - | 85 | °C |
| Operating Temperature Range (standard) | T | 0 | 25 | 70 | °C |
| Supply Voltage | V _{CC} | 3.135 | 3.3 | 3.465 | V |
| Relative Humidity | RH | 5 | - | 95 | % |

Ordering information

FTF-S85G-DxxL-16BD - DWDM SFP+, **with DDMI**, commercial temperature (0~70°C)

FTF-S85G-DxxL-16BDI - DWDM SFP+, **with DDMI, extended temperature (-40~85°C)**

└── denotes DWDM channel number, 100GHz grid, e.x **47** – 194,70THz (1539.77nm)
17 - 191,70THz(1563.86nm)

Available channels from 191.7THz do 196.1THz (100GHz grid)

Example part number: FTF-S85G-D47L-16BD – SFP+ DWDM, 1539.77nm, 16dB, DDMI, commercial temperature (0~70°C)

For further information regarding host device PCB layout recommendation, power supply requirements, EEPROM memory map, DDMI specification please check:

[SFF-8472 - Description of EEPROM and Digital Diagnostic Monitoring Interface](#) and [INF-8074 - Technical specification for SFP transceiver](#)

Fibrain Sp. z o.o. reserves the right to make changes to the products or information contained herein without notice. No liability is assumed as a result of their use or application.

Pictures used for reference only, actual product look may differ. For most actual information please contact technical support via aktywa@fibrain.pl